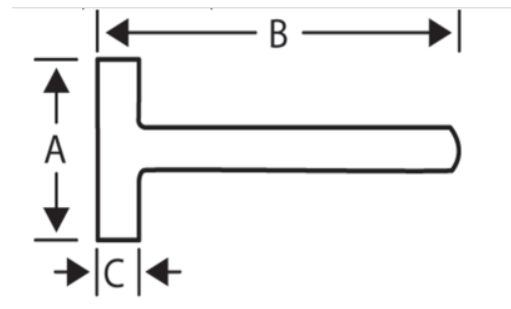






488A-08
Octogonal Sledge Hammer 8lb

PRODUCT DETAILS

- Epoxy black painted head
- Square mallets with fibreglass handle
- Three-component handle: fibreglass core, hard elastomer, soft rubber
- Conical assembly for increased safety
- Hardened striking heads according to standards



PRODUCT ATTRIBUTES

Product	A	B	C		
488A-08	170 mm	888 mm	58 mm	3.6 g	4.5 g

Follow the Fish!

