



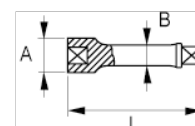
NS234

Non-Sparking Extensions Aluminium Bronze



PRODUCT DETAILS





- Made of aluminium bronze
- Used to tighten or loosen hex nuts and bolts directly
- Produced according to ISO 3316/DIN 3123
- Non-sparking (NS) tools designed for use in potentially explosive environments, where 'traditional' steel tools may create spark
- To obtain more information about the usage restrictions of non-sparking materials, please refer to the corresponding certificates



Follow the Fish!



PRODUCT ATTRIBUTES

商品				A	B	
NS234-16-100	1/2"	1/2"	100 mm	25 mm	16.4 mm	170 g
NS234-16-200	1/2"	1/2"	200 mm	25 mm	16.4 mm	340 g
NS234-16-250	1/2"	1/2"	250 mm	25 mm	16.4 mm	415 g
NS234-24-200	3/4"	3/4"	200 mm	38 mm	25 mm	765 g
NS234-32-250	1"	1"	250 mm	52 mm	34 mm	1690 g

