



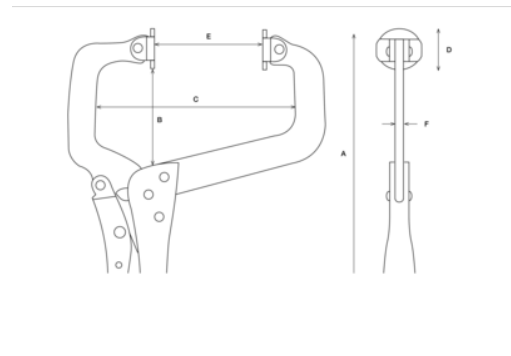
2962

Stepped C Clamps



PRODUCT DETAILS



- To securely hold thicker parts
- Suitable for wood and metal applications
- Swivel pads to hold non-parallel and uneven parts
- Chrome molybdenum steel
- Nickel plated



Follow the Fish!



PRODUCT ATTRIBUTES

| Product | A | B | C | D | E | F |  |  |
|-------------------|----------|----------|----------|----------|------------|----------|---|---|
| 2962-8-150 | 290 mm | 75 mm | 143 mm | 28 mm | 80-150 mm | 28 mm | 150 mm | 855 g |
| 2962-8-230 | 290 mm | 75 mm | 214 mm | 28 mm | 150-215 mm | 6 mm | 230 mm | 925 g |
| 2962-8-300 | 290 mm | 75 mm | 295 mm | 28 mm | 230-293 mm | 6 mm | 300 mm | 1050 g |

Follow the Fish!

