



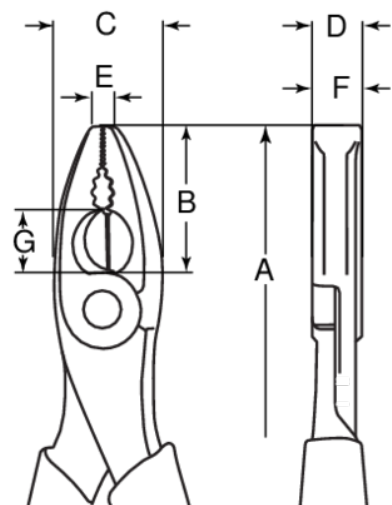
2678G

Combination Pliers with Dual-Component Handles



PRODUCT DETAILS




- Suitable for cutting Fe+ and piano wire
- Two-component handles for maximum grip comfort
- High-performance alloy steel
- Polished and oiled surfaces
- Phosphate finish, anti-corrosion treated
- Maximum comfort with minimum effort due to ergonomic design
- Comfortable handles give excellent grip
- Greater leverage and cutting capacity thanks to joint position
- Shaped head for better access with specially designed edges for cutting piano wire and spring steel
- Self-opening handles when spring activated
- Cutting edge designed to cut medium-hard wire
- Gripping surfaces particularly suited to flat material
- Phosphate finish, anti corrosion treated high alloy steel with hardened jaws



Follow the Fish!



PRODUCT ATTRIBUTES

Product	A	B	C	D	E	F	G			
2678 G-160	160 mm	35 mm	24 mm	10 mm	6 mm	10 mm	35 mm	1.7 mm	1.3 mm	195 g
2678 G-180	180 mm	38 mm	27 mm	11 mm	7 mm	11 mm	38 mm	2.0 mm	1.4 mm	2.25 g
2678 G-200	205 mm	43 mm	30 mm	12 mm	7 mm	12 mm	43 mm	2.5 mm	1.5 mm	300 g

