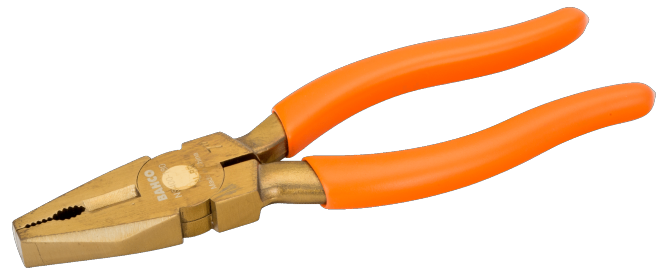


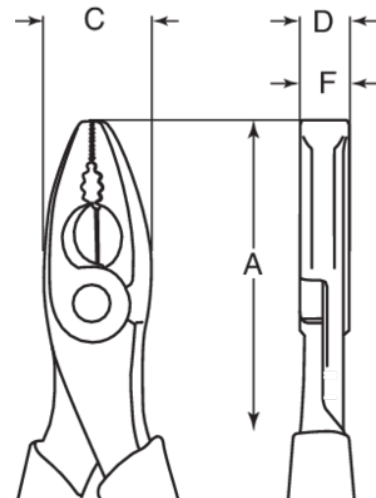


NS400
Non-Sparking Combination Pliers
Aluminium Bronze



PRODUCT DETAILS

- Made of aluminium bronze
- Combination pliers with a cutting capacity of Ø1 mm Cu and Fe wires
- PVC coated handles
- Produced according to ISO 5746
- Non-sparking (NS) tools designed for use in potentially explosive environments, where 'traditional' steel tools may create spark



PRODUCT ATTRIBUTES

Product	A	C	D	F	g
NS400-160	155 mm	24 mm	10 mm	10 mm	165 g
NS400-180	175 mm	26 mm	11 mm	11 mm	240 g
NS400-200	200 mm	28 mm	12 mm	12 mm	310 g

Follow the Fish!

