



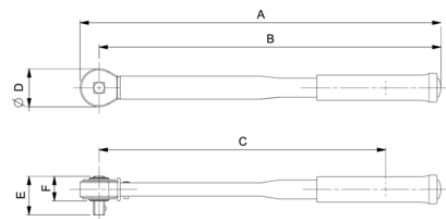
TAW1430

1/4" Electronic Torque Angle Wrench with Fixed Ratchet Head and Memory 1.5 N.m-3 N.m



PRODUCT DETAILS

- Torque units in N·m, kg.cm, dN·m, ft.lb, lb.in and angle units in degrees
- Torque range covers from 7 to 800 N·m and from 5.1 to 590 ft.lb
- It can be used CW and ACW at temperatures between 5 °C and 42 °C
- Memory capacity of 50 readings and up to 10 presets
- Torque, angle, torque then angle and preset modes
- Counter
- Data and set value retention during battery exchange
- Programmable automatic shut-off time
- Programmable Recalibration warning
- More advanced configurations and settings available in the user manual
- Accurate to $\pm 2\%$ CW and 3% ACW between 20% and 100% of max torque
- Visual (dual LEDs + backlit LCD display), audio and vibration signal
- 40-tooth fixed ratchet heads from 3/8" to 3/4" square drives
- Bezel in ABS and all-metal body for higher strength and duration
- Metal handle with reverse threaded end cap to enclose AA alkaline batteries (included)
- Supplied in sturdy blow mould case
- Supplied with a factory declaration of conformity traceable to International Standards and CE marking
- 2014/30/EC, ISO 6789
- Made in USA










Follow the Fish!



PRODUCT ATTRIBUTES

Product: **TAW1430**

	13.3-265.5 lb·in		1.11-22.13 lb·ft		1/4 in
					
	0-360°	A	358 mm	B mm	345 mm
C mm	302 mm	D mm	20 mm	E mm	20 mm
F mm	11 mm	