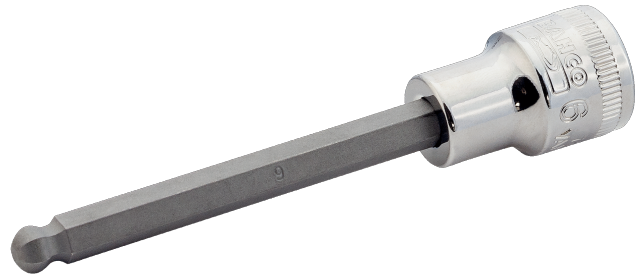


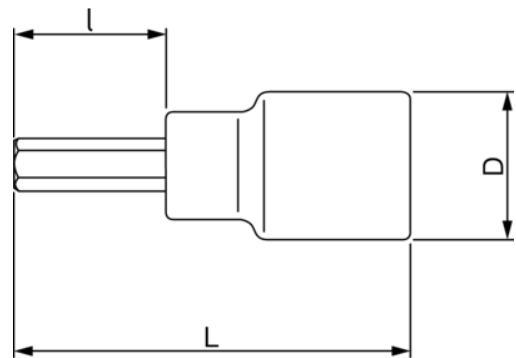


7409BH
3/8" Square Drive Ball Socket
Drivers for Hex Head Screw



PRODUCT DETAILS



- Knurled shank for finger turning of free running fasteners
- Not suitable for machine operation or power tools
- Highly polished finish
- High-performance alloy steel
- Better access to fastener than standard hexagon thanks to ball end
- Standards: ISO 1174 and DIN 3120



Follow the Fish!



PRODUCT ATTRIBUTES

Product		I	L	D	
7409BH-4	4 mm	65.5 mm	95.5 mm	19 mm	54 g
7409BH-5	5 mm	65.5 mm	95.5 mm	19 mm	54 g
7409BH-6	6 mm	65.5 mm	95.5 mm	19 mm	55 g
7409BH-8	8 mm	65.5 mm	95.5 mm	19 mm	70 g
7409BH-10	10 mm	65.5 mm	95.5 mm	19 mm	59 g
SB7409BH-4	4 mm	65.5 mm	95.5 mm	19 mm	54 g
SB7409BH-5	5 mm	65.5 mm	95.5 mm	19 mm	54 g
SB7409BH-6	6 mm	65.5 mm	95.5 mm	19 mm	55 g
SB7409BH-8	8 mm	65.5 mm	95.5 mm	19 mm	57 g
SB7409BH-10	10 mm	65.5 mm	95.5 mm	19 mm	59 g

Follow the Fish!

