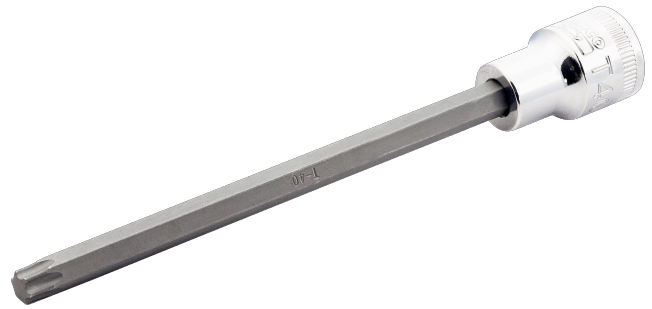


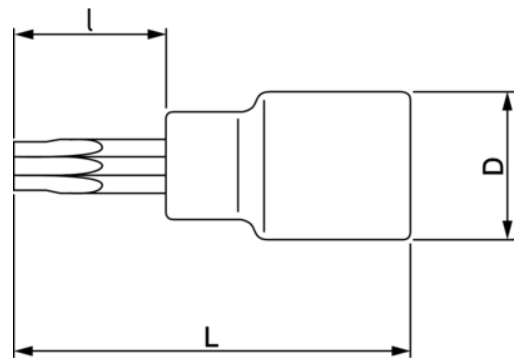


7409TORX-L
3/8" Square Drive Deep Socket
Drivers for TORX® Head Screw



PRODUCT DETAILS




- Knurled shank for finger turning of free running fasteners
- Not suitable for machine operation or power tools
- Highly polished finish
- High-performance alloy steel
- Standards: ISO 1174 and DIN 3120



Follow the Fish!



PRODUCT ATTRIBUTES

Product		I	L	D		
7409TORX-T25-L	T25	110 mm	140 mm	19 mm	M5	108 g
7409TORX-T30-L	T30	110 mm	140 mm	19 mm	M6	108 g
7409TORX-T40-L	T40	110 mm	140 mm	19 mm	M8	109 g
7409TORX-T45-L	T45	110 mm	140 mm	19 mm	-	109 g
7409TORX-T50-L	T50	110 mm	140 mm	19 mm	M10	90 g
SB7409TORX-T25-L	T25	110 mm	140 mm	19 mm	M5	108 g
SB7409TORX-T30-L	T30	110 mm	140 mm	19 mm	M6	108 g
SB7409TORX-T40-L	T40	110 mm	140 mm	19 mm	M8	109 g
SB7409TORX-T45-L	T45	110 mm	140 mm	19 mm	-	109 g
SB7409TORX-T50-L	T50	110 mm	140 mm	19 mm	M10	110 g

Follow the Fish!

