

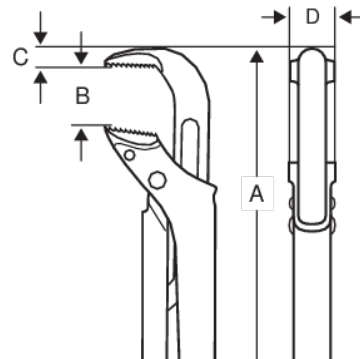


TAH1410-TAH1420
ERGO™ Swedish Model Pipe
Wrenches with Wire Loop



PRODUCT DETAILS



- Gripping capacity up to 38 mm (1 1/2") and a jaw opening up to 66 mm (2 2/3")
- Patented progressive teeth for better grip
- Anti-rust treated high-alloy steel with induction hardened teeth
- The nut can be blocked in the desired position with the adjustment screw. Safety stop prevents threading-off
- Finger pinching protection thanks to the curved design
- True ergonomic design for optimal comfort and increased productivity
- Slim design of the head allows excellent accessibility in confined spaces compared to many other type of pipe wrenches
- Comfortable two-component handle
- Suitable for working at height
- Permanent stainless steel heavy duty shackle maintains user ergonomics and full functionality
- Colour plate with maximum weight for a right matching with the lanyard
- According to DROPS best practices



Follow the Fish!



PRODUCT ATTRIBUTES

Product	A	B	C	D		
TAH1410	320 mm	45 mm	11,7 mm	18,8 mm	1 in	620 g
TAH1420	430 mm	65 mm	15 mm	20 mm	1 1/2 in	1115 g

Follow the Fish!

