



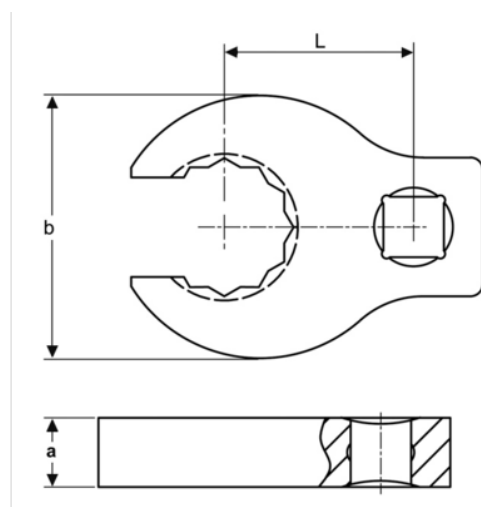
-789

1/2" vidlicový klíč Crowfoot



PODROBNOSTI O VÝROBKU




- 1/2" otevřený vidlicový klíč
- Normy: ISO 1174 a DIN 3120
- Materiál: houževnatá legovaná ocel
- Vysokoleštěná chromovaná povrchová úprava pro vysokou kvalitu povrchu



Follow the Fish!



VLASTNOSTI VÝROBKU

Produkt			a	b	L	
789-28	1/2 in	28 mm	14 mm	60 mm	40 mm	265 g
789-30	1/2 in	30 mm	14 mm	60 mm	40 mm	265 g
789-32	1/2 in	32 mm	14 mm	67 mm	40 mm	295 g
789-34	1/2 in	34 mm	14 mm	70 mm	45 mm	305 g
789-36	1/2 in	36 mm	14 mm	70 mm	45 mm	305 g
789-38	1/2 in	38 mm	14 mm	70 mm	50 mm	305 g
789-40	1/2 in	40 mm	14 mm	76 mm	50 mm	315 g
789-41	1/2 in	41 mm	14 mm	76 mm	50 mm	315 g
789-42	1/2 in	42 mm	14 mm	76 mm	50 mm	315 g
789-46	1/2 in	46 mm	14 mm	76 mm	50 mm	315 g
789-50	1/2 in	50 mm	14 mm	86 mm	50 mm	350 g
789-1.1/8	1/2 in	1.1/8 in	14 mm	60 mm	40 mm	265 g
789-1.1/4	1/2 in	1.1/4 in	14 mm	67 mm	40 mm	295 g
789-1.5/16	1/2 in	1.5/16 in	14 mm	70 mm	45 mm	305 g
789-1.3/8	1/2 in	1.3/8 in	14 mm	70 mm	45 mm	305 g
789-1.7/16	1/2 in	1.7/16 in	14 mm	70 mm	50 mm	305 g
789-1.1/2	1/2 in	1.1/2 in	14 mm	70 mm	50 mm	305 g
789-1.9/16	1/2 in	1.9/16 in	14 mm	76 mm	50 mm	315 g
789-1.5/8	1/2 in	1.5/8 in	14 mm	76 mm	50 mm	315 g
789-1.3/4	1/2 in	1.3/4 in	14 mm	76 mm	50 mm	315 g
789-1.13/16	1/2 in	1.13/16 in	14 mm	76 mm	50 mm	315 g
789-2	1/2 in	2 in	14 mm	100 mm	60 mm	370 g
789-2.1/4	1/2 in	2.1/4 in	14 mm	114 mm	60 mm	380 g
789-2.5/16	1/2 in	2.5/16 in	14 mm	114 mm	60 mm	380 g
789-2.3/8	1/2 in	2.3/8 in	14 mm	120 mm	65 mm	395 g

