



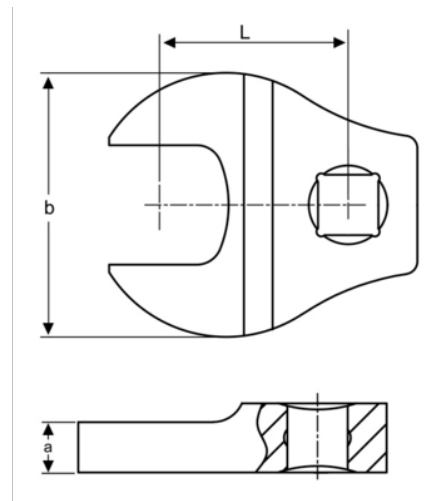
-747

Llaves de boca abierta Crowfoot con cuadrado de 3/8"



#### DETALLES DEL PRODUCTO




- Llave Crowfoot, boca abierta
- Cuadrado de 3/8"
- El acabado cromado brillante proporciona una superficie de gran calidad
- Acero aleado de alto rendimiento
- Normas: ISO 1174 y DIN 3120.



Follow the Fish!



# ATRIBUTOS DE PRODUCTO

Producto			<b>a</b>	<b>b</b>	<b>L</b>	
747-10	3/8 in	10 mm	5.5 mm	26 mm	25 mm	48 g
747-11	3/8 in	11 mm	5.5 mm	26 mm	25 mm	48 g
747-12	3/8 in	12 mm	7 mm	30 mm	25 mm	60 g
747-13	3/8 in	13 mm	7 mm	32 mm	25 mm	63 g
747-14	3/8 in	14 mm	8 mm	33 mm	25 mm	64 g
747-15	3/8 in	15 mm	8 mm	35 mm	25 mm	70 g
747-16	3/8 in	16 mm	8 mm	35 mm	25 mm	70 g
747-17	3/8 in	17 mm	8 mm	35 mm	25 mm	70 g
747-18	3/8 in	18 mm	8 mm	42 mm	30 mm	89 g
747-19	3/8 in	19 mm	8 mm	42 mm	30 mm	89 g
747-20	3/8 in	20 mm	8 mm	44 mm	30 mm	91 g
747-21	3/8 in	21 mm	8 mm	46 mm	30 mm	94 g
747-22	3/8 in	22 mm	8 mm	48 mm	30 mm	96 g
747-23	3/8 in	23 mm	8 mm	52 mm	30 mm	101 g
747-24	3/8 in	24 mm	8 mm	52 mm	30 mm	101 g
747-25	3/8 in	25 mm	8 mm	52 mm	30 mm	101 g
747-26	3/8 in	26 mm	8 mm	55 mm	30 mm	101 g
747-27	3/8 in	27 mm	8 mm	55 mm	30 mm	101 g
747-28	3/8 in	28 mm	8 mm	56 mm	35 mm	115 g
747-30	3/8 in	30 mm	8 mm	58 mm	40 mm	118 g
747-32	3/8 in	32 mm	8 mm	58 mm	40 mm	118 g
747-34	3/8 in	34 mm	8 mm	65 mm	45 mm	135 g
747-36	3/8 in	36 mm	8 mm	70 mm	45 mm	145 g
747-40	3/8 in	40 mm	8 mm	80 mm	45 mm	150 g
747-41	3/8 in	41 mm	8 mm	80 mm	45 mm	150 g
747-42	3/8 in	42 mm	8 mm	85 mm	50 mm	165 g
747-46	3/8 in	46 mm	8 mm	90 mm	50 mm	165 g
747-50	3/8 in	50 mm	8 mm	100 mm	55 mm	175 g
747-3/8	3/8 in	3/8 in	5.5 mm	26 mm	25 mm	48 g
747-7/16	3/8 in	7/16 in	5.5 mm	26 mm	25 mm	48 g
747-1/2	3/8 in	1/2 in	7 mm	30 mm	25 mm	60 g
747-9/16	3/8 in	9/16 in	8 mm	33 mm	25 mm	64 g
747-5/8	3/8 in	5/8 in	8 mm	35 mm	25 mm	70 g
747-11/16	3/8 in	11/16 in	8 mm	35 mm	25 mm	70 g
747-3/4	3/8 in	3/4 in	8 mm	42 mm	30 mm	89 g
747-13/16	3/8 in	13/16 in	8 mm	44 mm	30 mm	91 g
747-7/8	3/8 in	7/8 in	8 mm	48 mm	30 mm	96 g
747-15/16	3/8 in	15/16 in	8 mm	52 mm	30 mm	101 g
747-1	3/8 in	1 in	8 mm	52 mm	30 mm	101 g
747-1.1/16	3/8 in	1.1/16 in	8 mm	55 mm	30 mm	101 g
747-1.1/8	3/8 in	1.1/8 in	8 mm	60 mm	35 mm	293 g
747-1.3/16	3/8 in	1.3/16 in	8 mm	60 mm	40 mm	293 g
747-1.1/4	3/8 in	1.1/4 in	8 mm	60 mm	40 mm	293 g
747-1.5/16	3/8 in	1.5/16 in	8 mm	65 mm	40 mm	317 g
747-1.3/8	3/8 in	1.3/8 in	8 mm	67,8 mm	45 mm	373 g
747-1.7/16	3/8 in	1.7/16 in	8 mm	70 mm	45 mm	383 g
747-1.1/2	3/8 in	1.1/2 in	8 mm	80 mm	45 mm	435 g
747-1.9/16	3/8 in	1.9/16 in	8 mm	80 mm	45 mm	435 g
747-1.5/8	3/8 in	1.5/8 in	8 mm	80 mm	45 mm	435 g
747-1.11/16	3/8 in	1.11/16 in	8 mm	85 mm	50 mm	465 g
747-1.3/4	3/8 in	1.3/4 in	8 mm	90 mm	50 mm	495 g
747-1.13/16	3/8 in	1.13/16 in	8 mm	90 mm	50 mm	495 g
747-1.7/8	3/8 in	1.7/8 in	8 mm	100 mm	55 mm	550 g
747-1.15/16	3/8 in	1.15/16 in	8 mm	100 mm	55 mm	500 g
747-2	3/8 in	2 in	8 mm	100 mm	55 mm	550 g
747-2.1/16	3/8 in	2.1/16 in	8 mm	100 mm	55 mm	550 g
747-2.1/8	3/8 in	2.1/8 in	8 mm	100 mm	55 mm	550 g
747-2.3/16	3/8 in	2.3/16 in	8 mm	100 mm	55 mm	550 g
747-2.1/4	3/8 in	2.1/4 in	8 mm	110 mm	60 mm	605 g
747-2.5/16	3/8 in	2.5/16 in	8 mm	110 mm	60 mm	605 g
747-2.3/8	3/8 in	2.3/8 in	8 mm	110 mm	60 mm	605 g
747-2.7/16	3/8 in	2.7/16 in	8 mm	110 mm	60 mm	605 g
747-2.1/2	3/8 in	2.1/2 in	8 mm	117 mm	65 mm	645 g
747-2.9/16	3/8 in	2.9/16 in	8 mm	117 mm	65 mm	645 g
747-2.5/8	3/8 in	2.5/8 in	8 mm	117 mm	65 mm	645 g
747-2.3/4	3/8 in	2.3/4 in	8 mm	117 mm	65 mm	645 g
747-2.7/8	3/8 in	2.7/8 in	8 mm	117 mm	65 mm	645 g

Follow the Fish!



Contact: info@bahco.com / www.bahco.com