

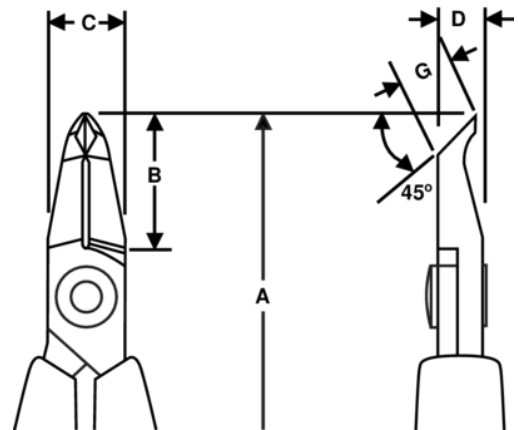


**7285**  
**45° Oblique Cutters 0.2 mm-1 mm**



**PRODUCT DETAILS**

- Supreme series 45° oblique cutter
- ESD safe mono-material handles with return spring
- Flush cut
- The cutting capacity given is for copper wire
- Suitable for cutting Cu
- High performance alloyed steel
- Polished finish
- Numerically controlled machine grinding guarantees edge angle accuracy and contact, increases the tools reliability and consistency
- Precision induction hardened edges 58-60 HRC
- Screw joint that minimizes friction and maximizes alignment of cutting edges
- Ideal for rework and close assembly needs



**PRODUCT ATTRIBUTES**

Product	A	B	C	D	G			
<b>7285</b>	117.5 mm	18 mm	10 mm	6 mm	6.7 mm	0.2-1.0 mm	Flush	56 g

**Follow the Fish!**

