



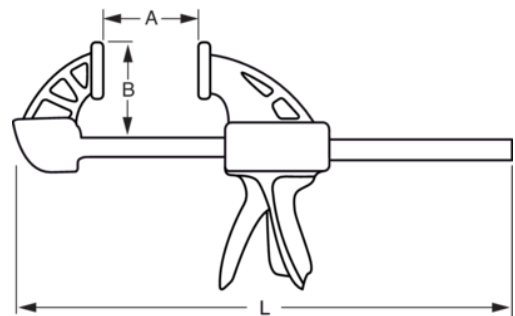
QCB

Quick Clamps with 200 kg Force



PRODUCT DETAILS



- QCB clamp has a force of 200 kg
- A wider range up to 1250 mm in length
- Can also be used as a spreader
- Variable speed trigger mechanism increases power as the head makes contact with the work piece
- Replaceable gripping pads
- Variable speed mechanism makes it easier to reach high clamping force
- Removable pads with V-groove
- Easy to adapt to a spreader with the spreader button
- Easy-access release mechanism
- Comfortable handle for use at any angle; upside down, front to back



Follow the Fish!



PRODUCT ATTRIBUTES

Product		A	B	
QCB-150	456 mm	150 mm	95 mm	970 g
QCB-300	606 mm	300 mm	95 mm	1044 g
QCB-450	756 mm	450 mm	95 mm	1200 g
QCB-600	906 mm	600 mm	95 mm	1320 g
QCB-900	1206 mm	900 mm	95 mm	1590 g
QCB-1250	1556 mm	1250 mm	95 mm	1850 g

