

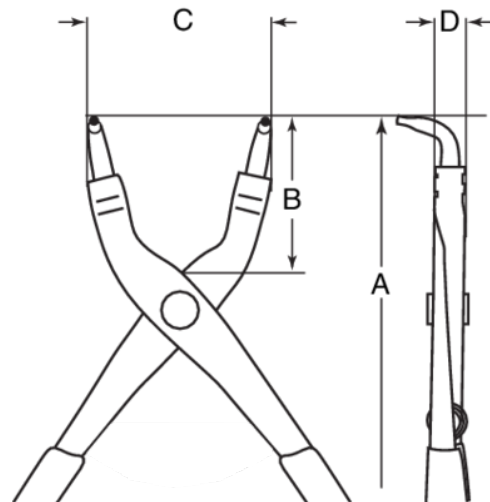


2890
Internal Circlip Pliers with 90° Offset
Jaws and Phosphate Finish






PRODUCT DETAILS

- For handling internal circlips
- PVC coated handles
- 90° offset straight jaws, forged tips
- High-performance alloy steel
- Phosphate finish, anti-corrosion treated
- For internal circlips
- Shape: 90° offset straight jaws, forged tips
- Without return spring



PRODUCT ATTRIBUTES

Product	A	B	C	D			
2890-125	127 mm	25,7 mm	17 mm	9,5 mm	8-15 mm	0.8 mm	80 g
2890-140	140 mm	25,7 mm	19 mm	9,5 mm	12-25 mm	1.2 mm	120 g
2890-180	180 mm	42 mm	23 mm	10,5 mm	19-60 mm	1.7 mm	185 g
2890-210	210 mm	51 mm	27 mm	12 mm	40-100 mm	2.2 mm	280 g
2890-300	289 mm	72 mm	33 mm	14 mm	85-165 mm	3.1 mm	490 g

