



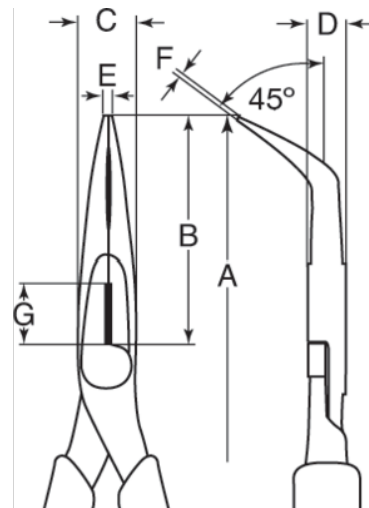
2477G-200

**45° Bent Tip Snipe Nose Pliers with
Dual-Component Handles and
Lacquered Finish**



PRODUCT DETAILS

- Snipe nose pliers with bent tips angled at 60° with two-component handles
- Suitable for cutting Cu, Fe and Fe+ wire
- High-performance alloy steel
- Polished and oiled surfaces
- Phosphate finish, anti-corrosion treated
- With bent tips angled at 45° with two-component handles
- Slim semi-circular shaped and serrated jaws
- Sharp cutting edges for cutting softer material such as copper and plastic insulated wire







Follow the Fish!



PRODUCT ATTRIBUTES

Product: **2477 G-200**

A	210 mm	B	70 mm	C	22 mm
D	11 mm	E	4 mm	F	3 mm
G	70 mm		3.0 mm		1.5 mm
	1 mm		185 g		

Follow the Fish!

